

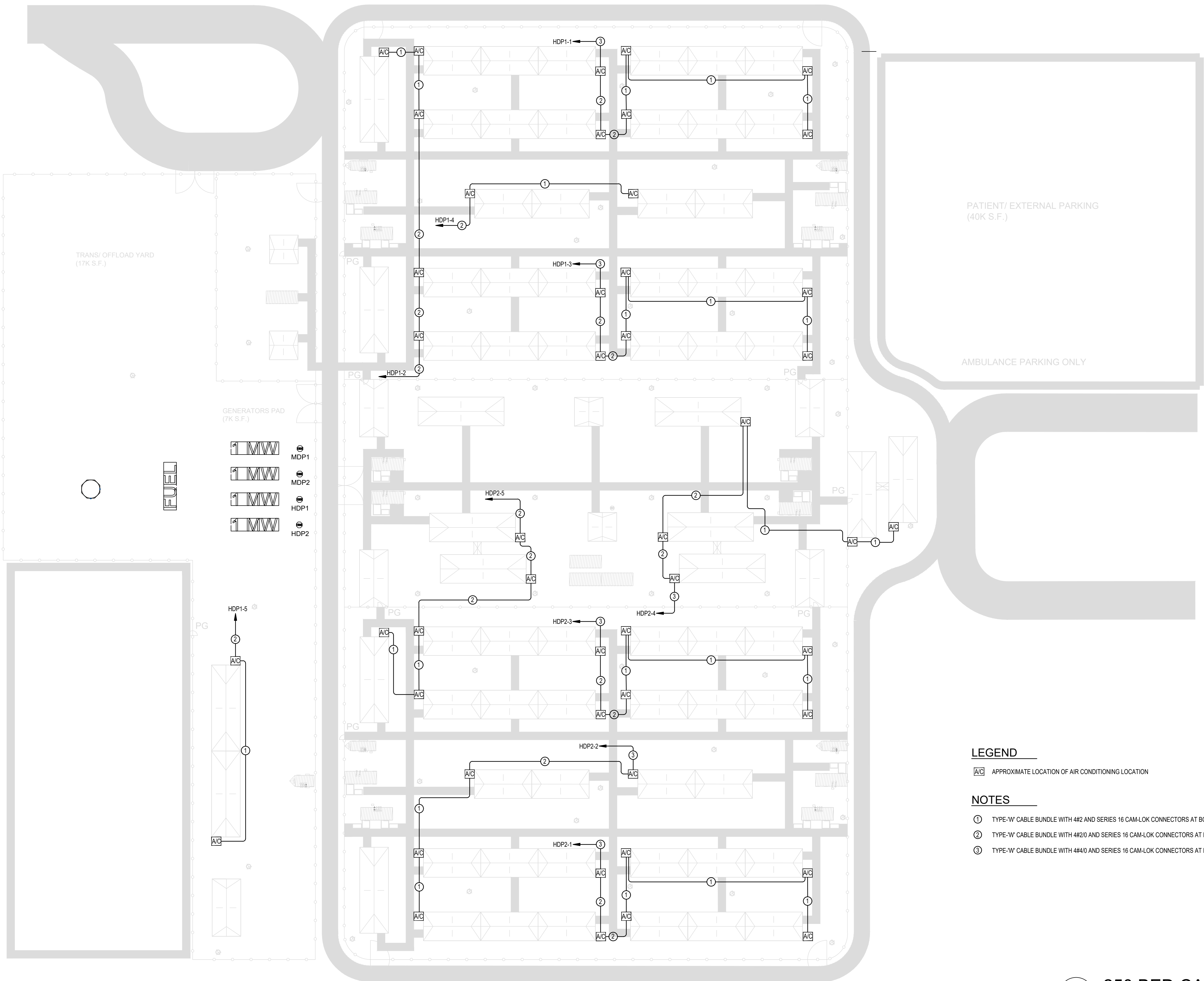


MARK	DESCRIPTION	DATE

DESIGNED BY: J. DESIGNER	ISSUE DATE: MM/YY
DRAWN BY: J. DRAWER	SOLICITATION NO.:
CHECKED BY: J. CHECKER	CONTRACT NO.:
SUBMITTED BY: J. SUBMITTER	CREATION DATE:
SIZE: ANSI D	FILE NAME: %JOBX2%
DEPARTMENT OF THE ARMY OFFICE OF THE CHIEF OF ENGINEERS WASHINGTON, D.C. AR 415-16	DEPARTMENT OF THE ARMY OFFICE OF THE CHIEF OF ENGINEERS WASHINGTON, D.C. AR 415-16

CONTINGENCY STANDARD DESIGN ARMY FACILITIES CONSTRUCTION SYSTEM CONSTRUCTION ACTIVITY	SHEET TITLE 1 SHEET TITLE 2 SHEET TITLE 3
---	---

SHEET ID XXXXXXXXX X-000



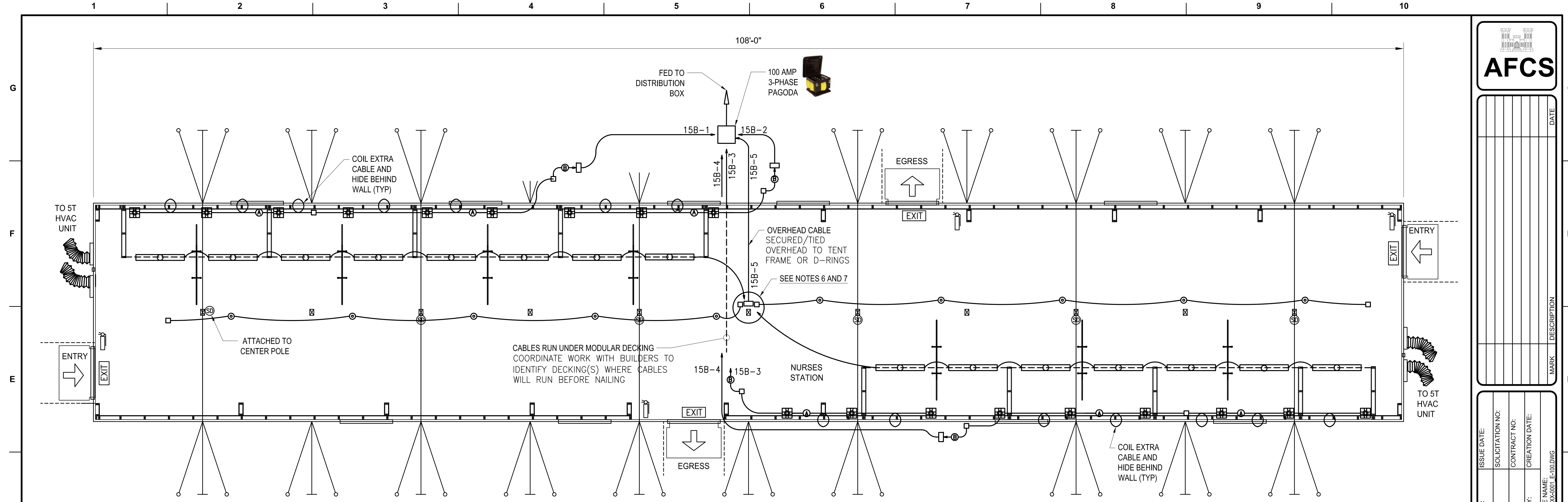
LEGEND

A/C APPROXIMATE LOCATION OF AIR CONDITIONING LOCATION

NOTES

- ① TYPE-W CABLE BUNDLE WITH #2 AND SERIES 16 CAM-LOK CONNECTORS AT BOTH ENDS
- ② TYPE-W CABLE BUNDLE WITH #2/0 AND SERIES 16 CAM-LOK CONNECTORS AT BOTH ENDS
- ③ TYPE-W CABLE BUNDLE WITH #4/0 AND SERIES 16 CAM-LOK CONNECTORS AT BOTH ENDS

A8 250 BED CAMP SITE POWER HVAC
SCALE: 1/32" = 1'-0"



D4 15-BED MEDICAL TENT POWER AND LIGHT PLAN
SCALE: 1/4" = 1'-0"

PANEL 15B		SYSTEM: 208/120V 3PH 4W		
		RATING: 100A M.C.B. 10,000 AIC MINIMUM		
		ENCLOSURE: NEMA 3R PAGODA ENCLOSURE		
		OPTIONS:		
CKT #	SERVING	CKT BRK TRIP	POLE	CONNECTED LOAD (VA)
1	PATIENT BED	20	3	1,800
	PATIENT BED			1,800
	PATIENT BED			1,800
2	RECEPTACLES	20	3	1,800
	PATIENT BED			1,800
3	PATIENT BED	20	3	1,800
	NURSES STATION			1,800
	NURSES STATION			1,800
4	PATIENT BED	20	3	1,800
	PATIENT BED			1,800
	PATIENT BED			1,800
5	LIGHTS	20	3	900
	LIGHTS			900
	LIGHTS			900
TOTAL CONNECTED LOAD : 24,300 VA / 360 = 67.5A				

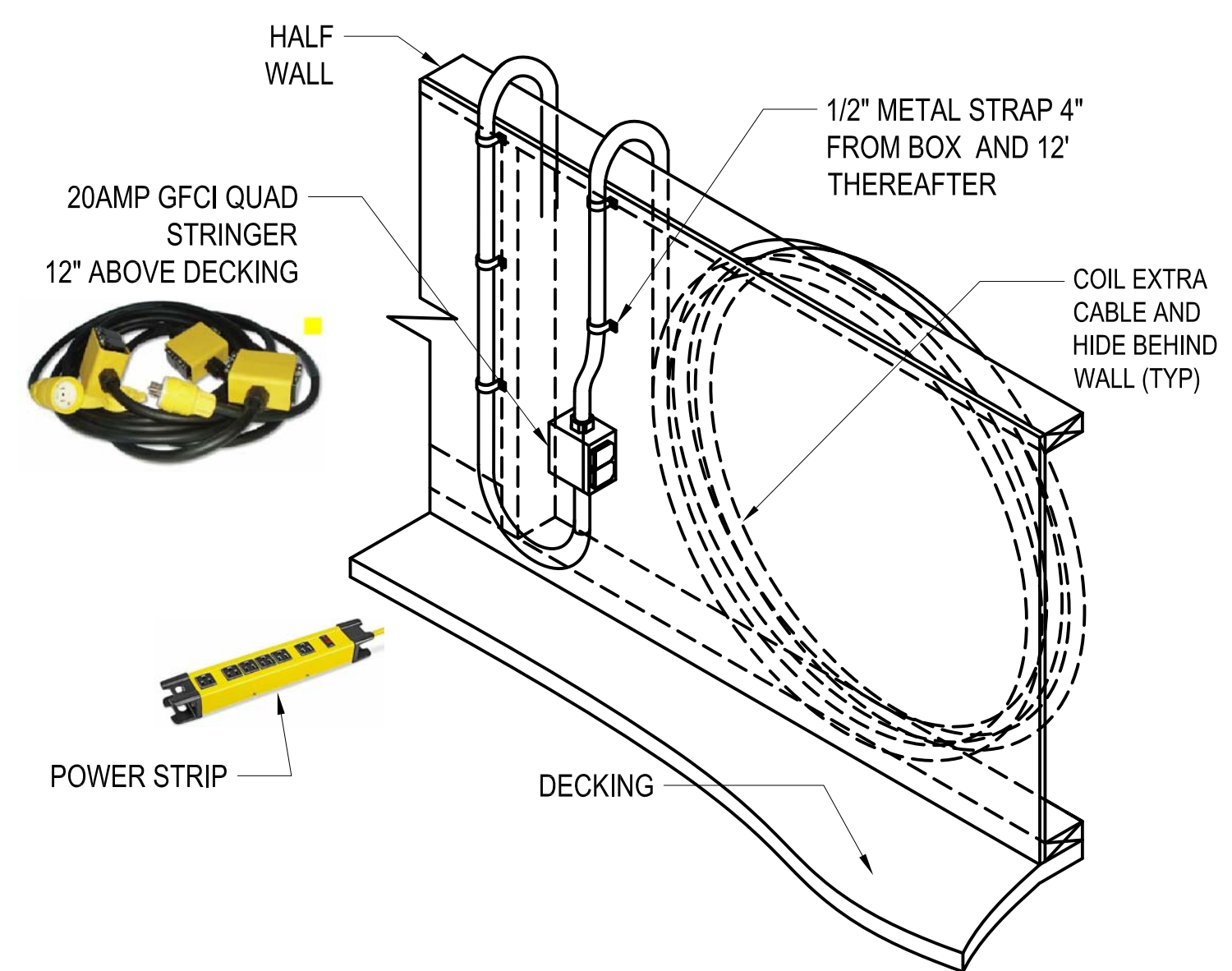
A8 TYPICAL PANEL SCHEDULE
SCALE: NOT TO SCALE

ELECTRICAL NOTES:

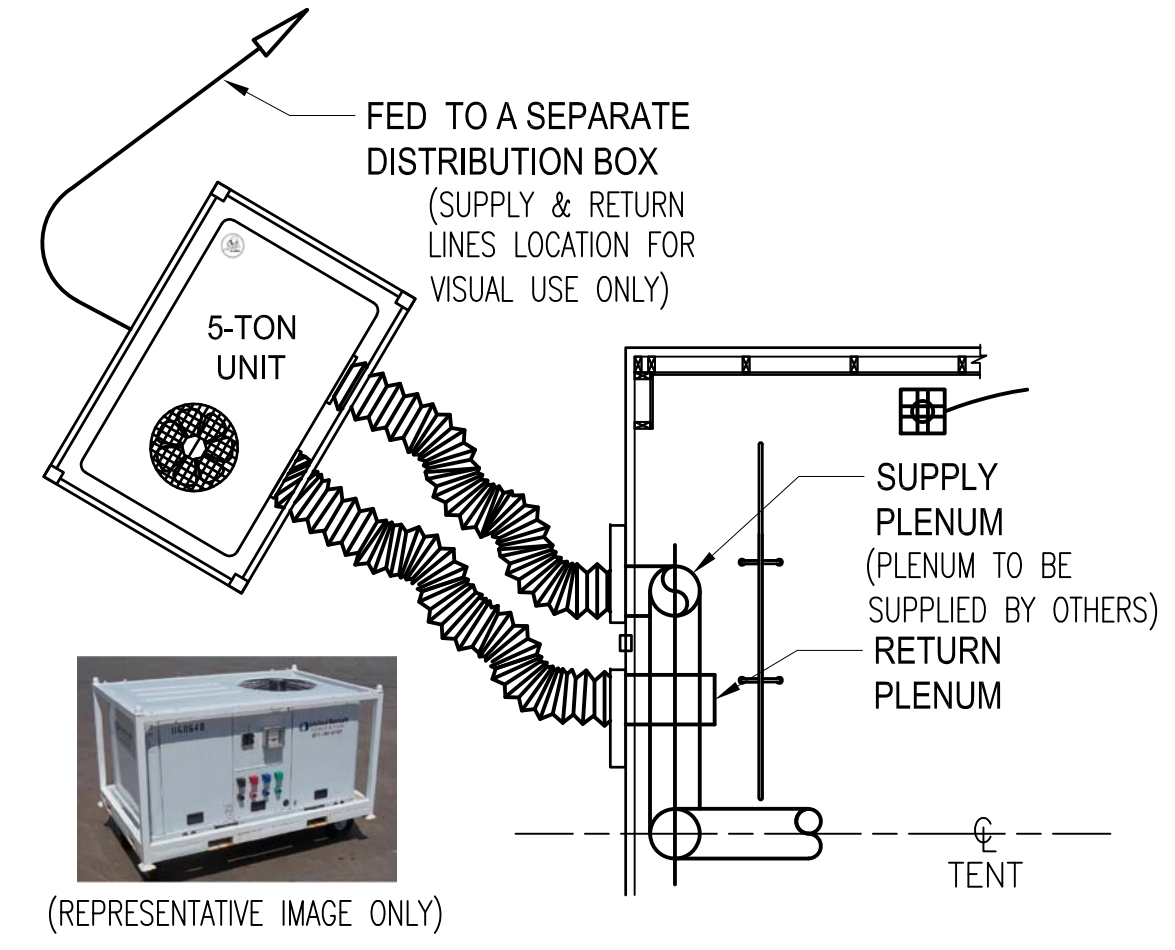
- ALL ELECTRICAL WORK AND EQUIPMENT INSTALLATION SHALL CONFORM TO ALL FEDERAL AND STATES REQUIREMENTS OF THE CURRENT EDITION OF THE NATIONAL ELECTRICAL CODE (NEC).
- ELECTRICAL DRAWINGS ARE DIAGRAMMATIC, THEY ARE INTENDED TO SHOW APPROXIMATE LOCATIONS OF EQUIPMENT AND ELECTRICAL CABLES.
- EXACT LOCATION OF EQUIPMENT WILL BE VERIFIED IN THE FIELD AND ROUTING OF CABLES TO SUIT FIELD CONDITIONS.
- EACH PATIENT AREA WILL HAVE A POWER STRIP DESIGNED FOR HOSPITAL USE.
- ECU WILL BE POWERED FROM A SEPARATE PANEL BOX .
- TWO HEAVY DUTY LED CONSTRUCTION STRING LIGHTS, 10,000 LUMENS, 5000K DAYLIGHT, 100 WATTS, 50 FT, LINKABLE
- THE TWO LED STRING LIGHTS WILL BE PLUG TO A 20AMP GFCI QUAD STRINGER AND SECURED TO CENTER POST USING ZIP TIES OR EQUIVALENT.
- SEVEN 4FT, 64 WATT EQUIVALENT WHITE INTEGRATED LED SHOP LIGHT 4000K BRIGHT WHITE 3200 LUMENS LINKABLE 5FT PATIENT LIGHTING FIXTURE.

SYMBOLS:

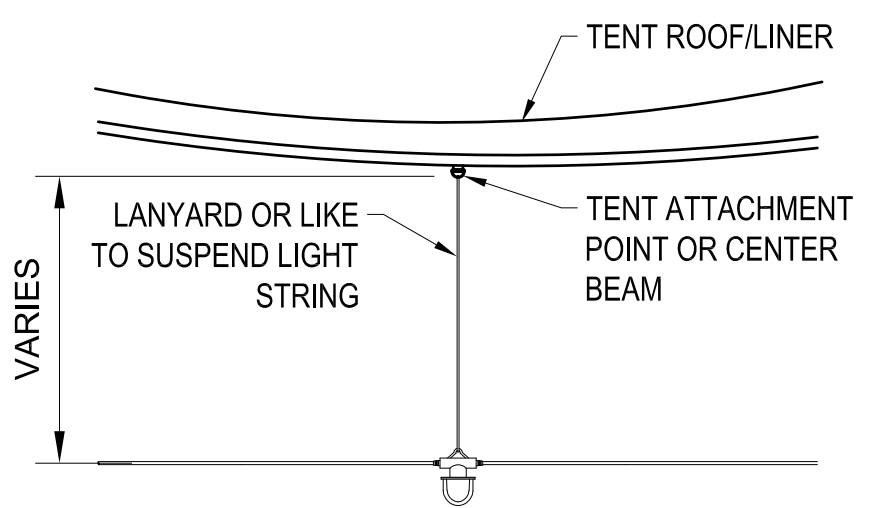
- Ⓢ SMOKE DETECTOR (BATTERY POWERED)
- Ⓐ CABLE, QUAD BOX STRINGS 50'
- Ⓑ CABLE, QUAD EXTENSION 50'



A3 TYP. POWER STRINGER DETAIL
SCALE: NOT TO SCALE



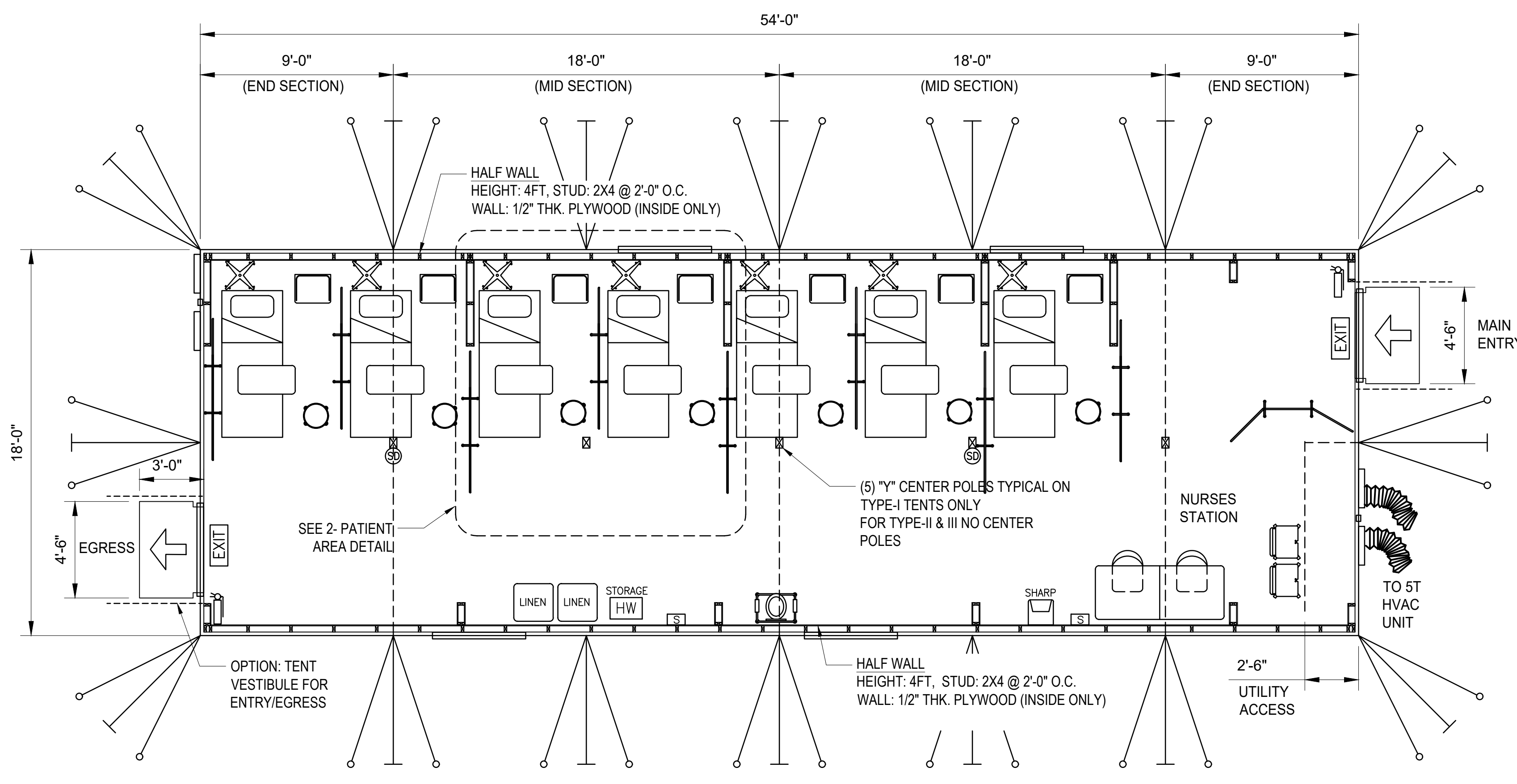
B1 TYPICAL HVAC DETAIL
SCALE: NOT TO SCALE



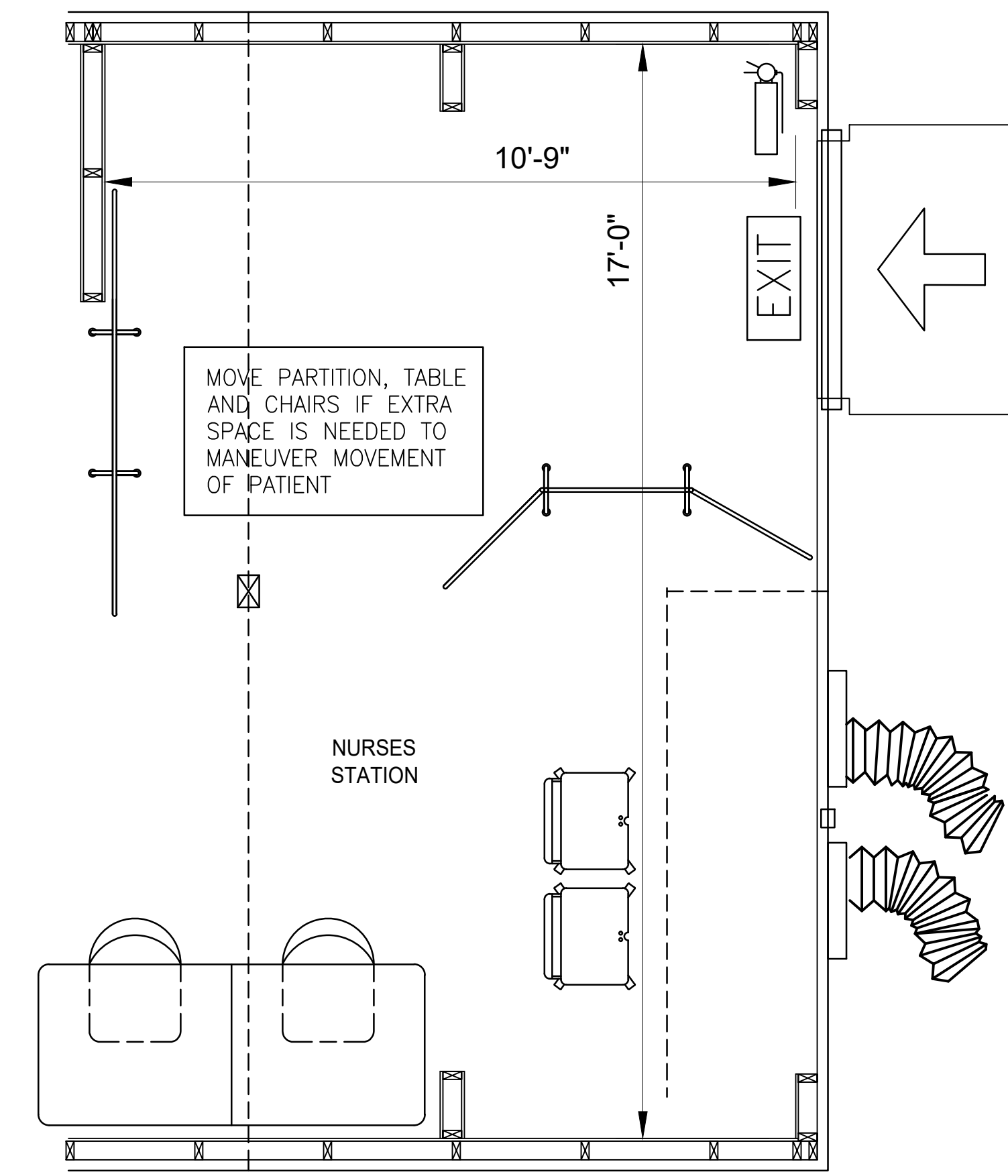
A1 STRING LIGHT DETAIL
SCALE: NOT TO SCALE

AFCS

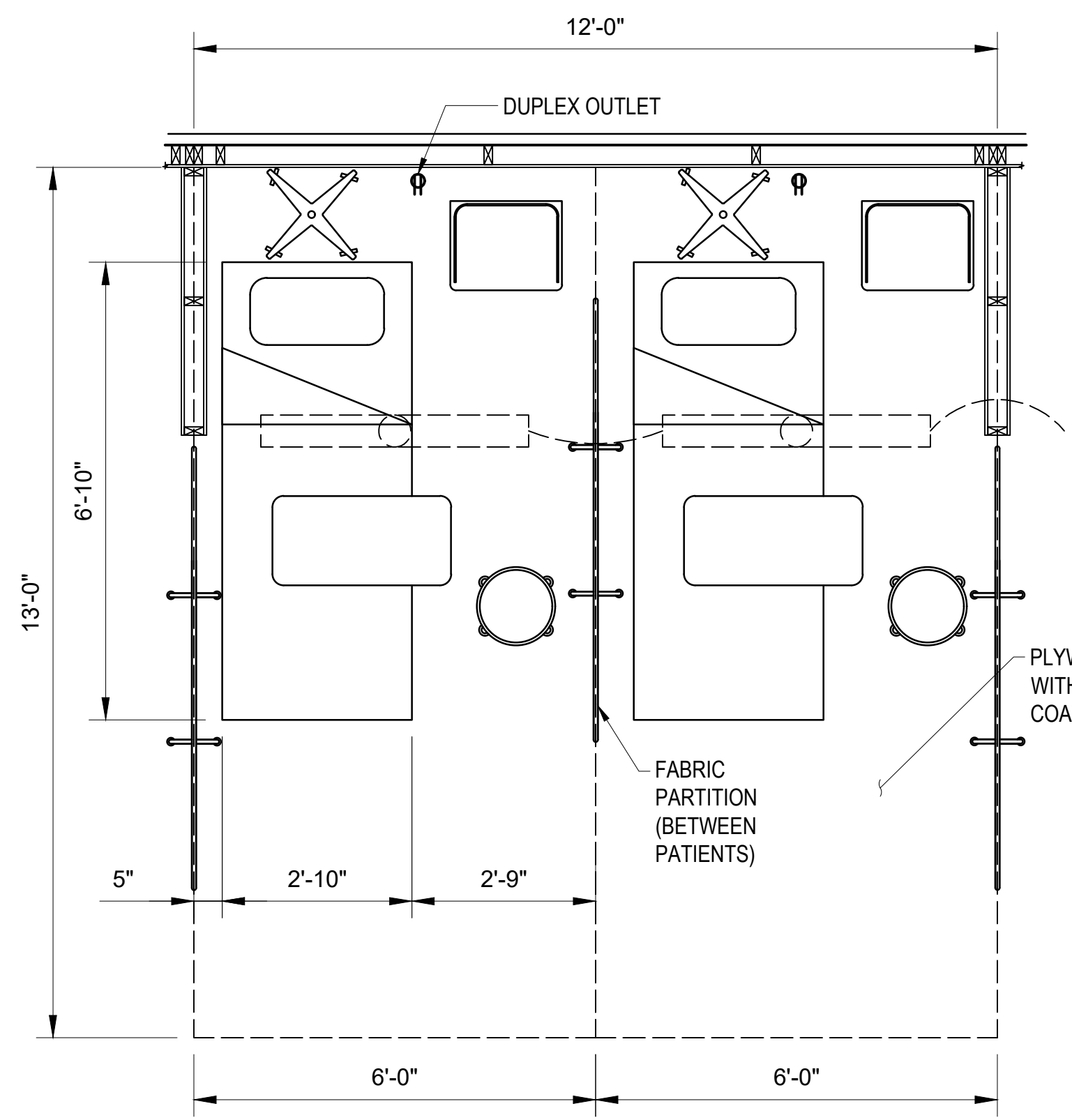
DESIGNED BY: NAVFAC-EMVIC DRAWN BY: NAVFAC-EMVIC CHECKED BY: NAVFAC-EMVIC SUBMITTED BY: AFCS SIZE: A3 FILE NAME: XXXX001_E-100.DWG ANS ID:	ISSUE DATE: SOLICITATION NO: CONTRACT NO: CREATION DATE: DEPARTMENT OF THE ARMY OFFICE OF THE CHIEF OF ENGINEERS WASHINGTON, D.C. AR 415-16
CONTINGENCY STANDARD DESIGNS ARMY FACILITIES COMPONENTS SYSTEM	
PATIENT TENT, 15-BED, POWER & LIGHT PLAN 18FT X 108FT TENT ASSEMBLY 1,944 SQUARE FEET	
SHEET ID XXXXX-001_E-100 E-100	



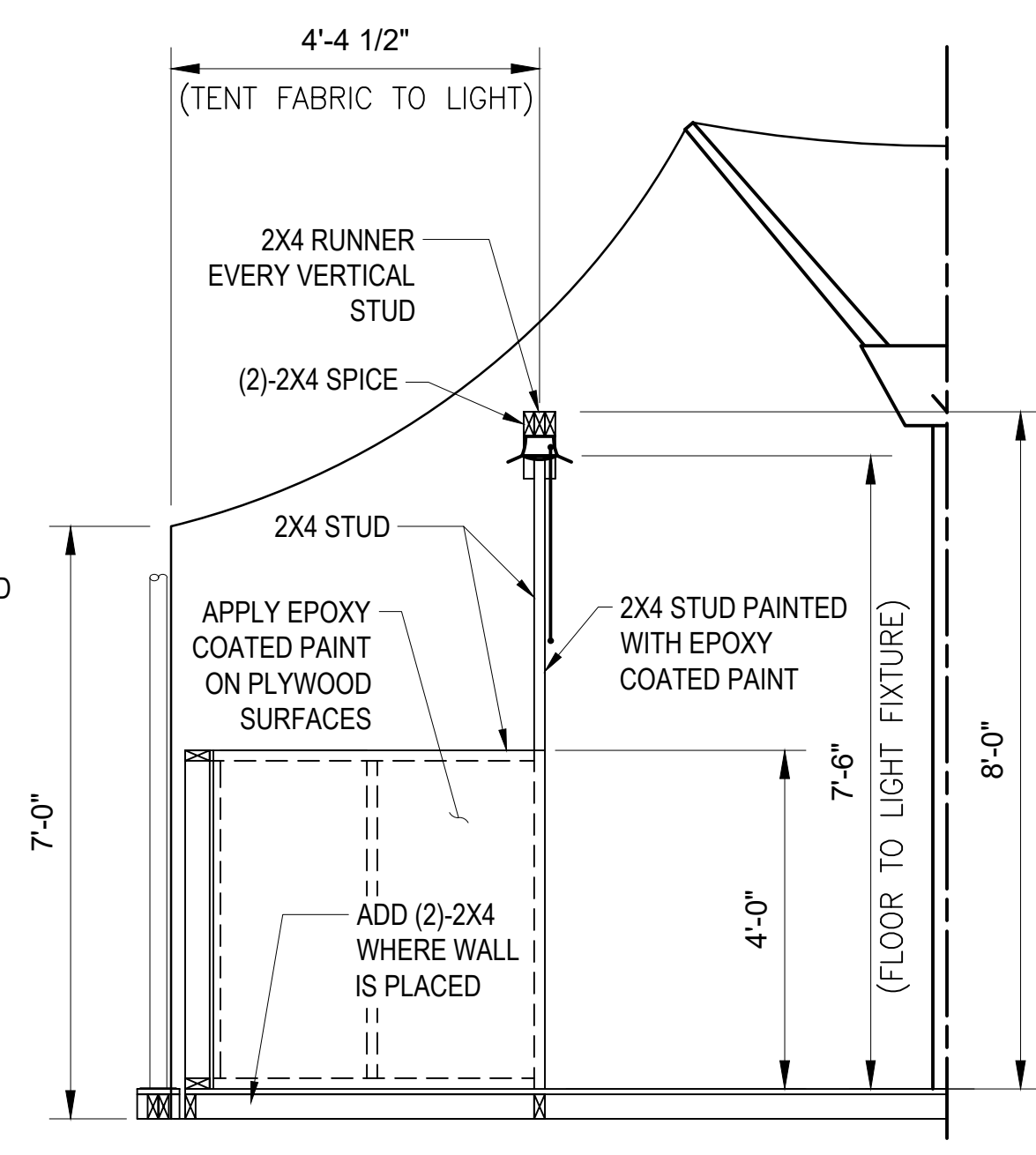
D2 7-BED CAPACITY MEDICAL TENT FLOOR PLAN (MGPTS-LARGE)
SCALE: 1/4" = 1' - 0"



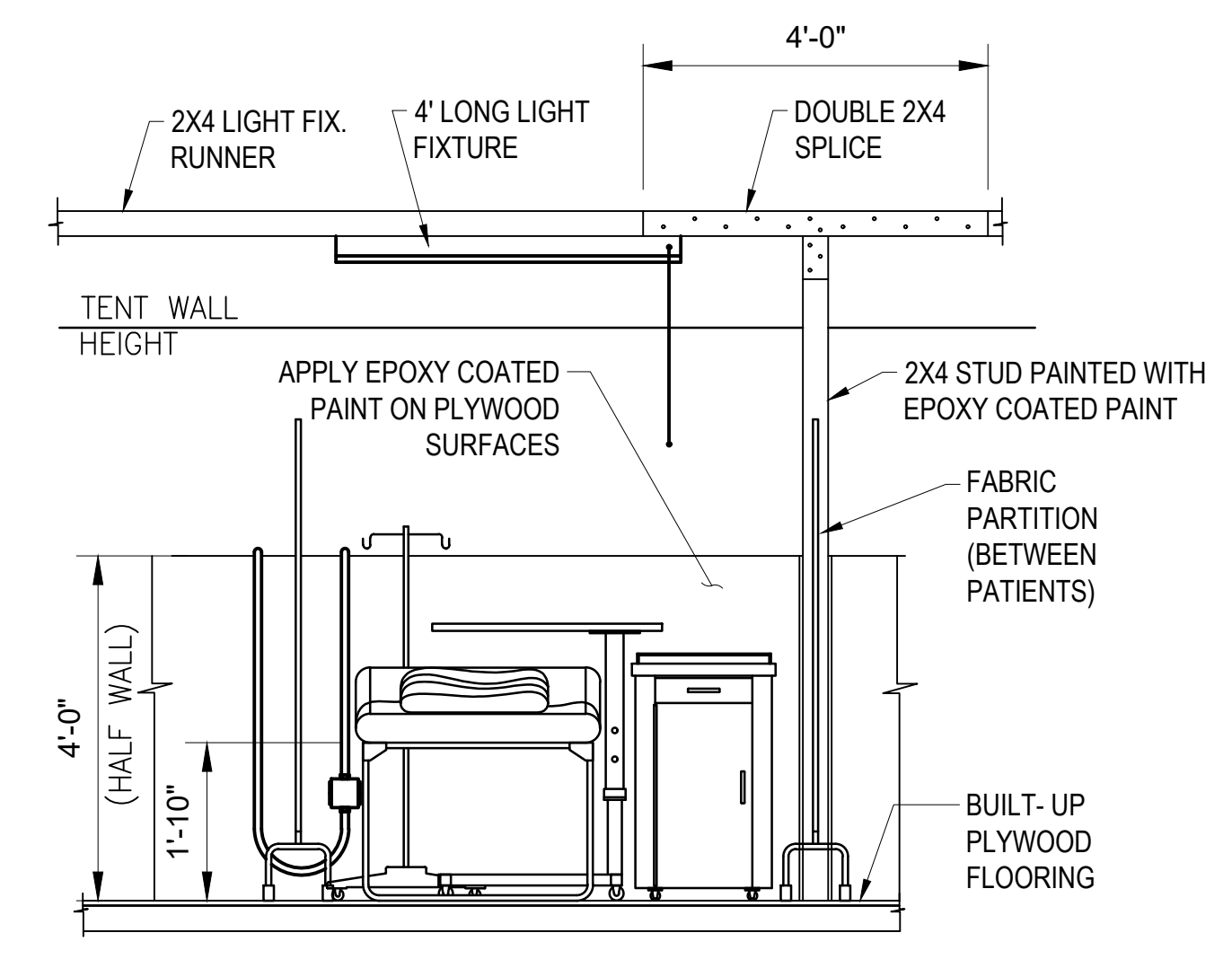
D7 NURSES STATION DETAIL
SCALE: 1/2" = 1' - 0"



A1 2-PATIENT AREA DETAIL
SCALE: 1/2" = 1' - 0"



A4 SECTION VIEW
SCALE: 1/2" = 1' - 0"

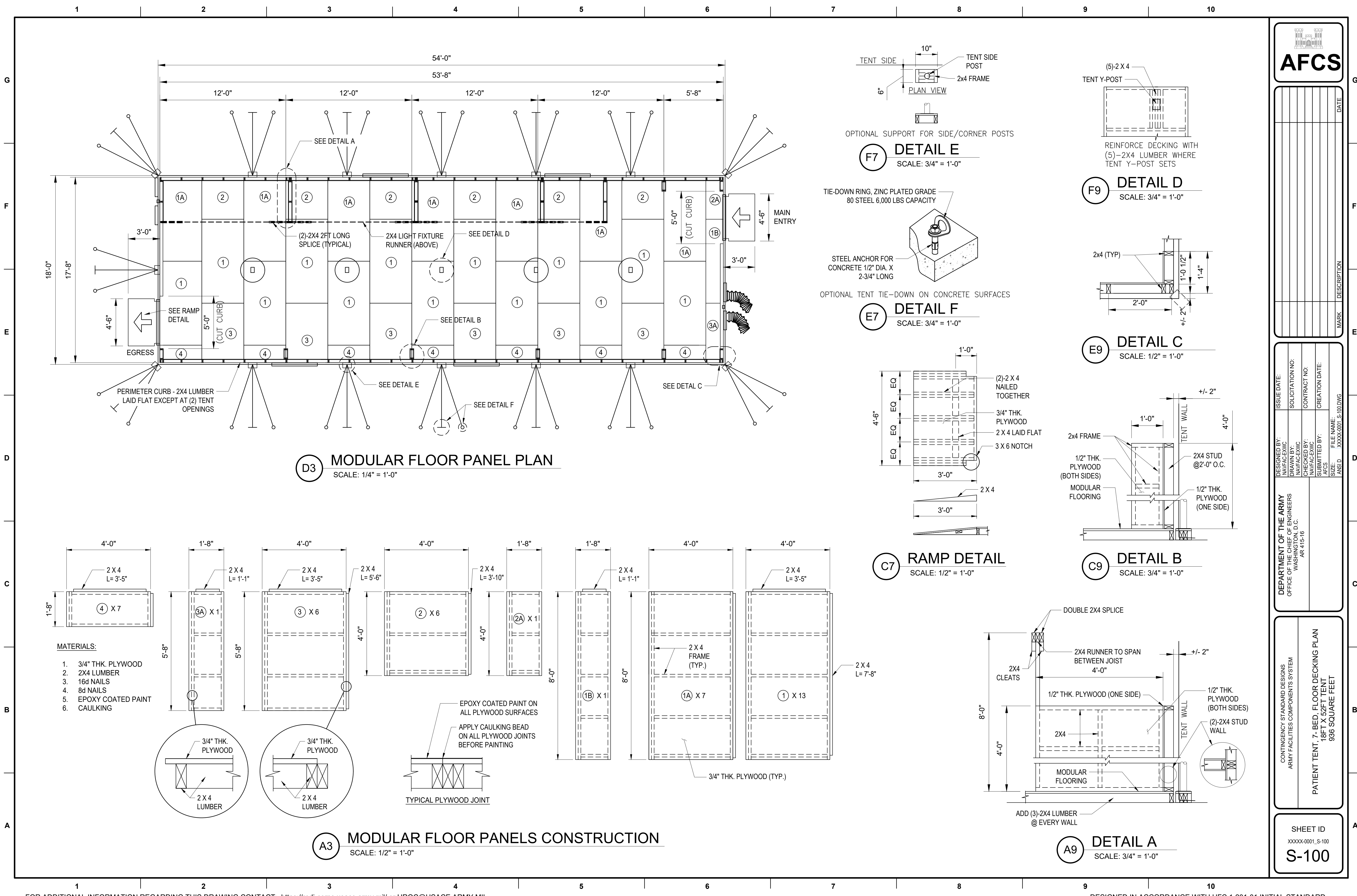


A7 ELEVATION VIEW
SCALE: 1/2" = 1' - 0"

- SYMBOLS:**
- IV STAND (MOBILE)
 - STOOL
 - STORAGE CABINET
 - SHARPS CONTAINER
 - HAND SANITIZER DISPENSER
 - MOBILE WORK STATION
 - BEDSIDE TOILET
 - HAZARDOUS WASTE STORAGE
 - LINEN HAMPER
 - FIRE EXTINGUISHER (ABC TYPE)
 - EXIT SIGN
 - SMOKE DETECTOR (BATTERY POWERED)

AFCS

DESIGNED BY: NAVFACE/MC DRAWN BY: NAVFACE/MC SUBMITTED BY: AFCS FILE NAME: XXXXX-0001_A-100.DWG SIZE: ANSI D	ISSUE DATE: SOLICITATION NO: CONTRACT NO: CREATION DATE: MARK:
DEPARTMENT OF THE ARMY OFFICE OF THE CHIEF OF ENGINEERS WASHINGTON, D.C. AR 415-16	
CONTINGENCY STANDARD DESIGNS ARMY FACILITIES COMPONENTS SYSTEM PATIENT TENT, 7-BED, FLOOR PLAN 18FT X 52FT TENT 936 SQUARE FEET	
SHEET ID XXXXX-0001_A-100 A-100	



D3 MODULAR FLOOR PANEL PLAN
SCALE: 1/4" = 1'-0"

A3 MODULAR FLOOR PANELS CONSTRUCTION
SCALE: 1/2" = 1'-0"

F7 DETAIL E
SCALE: 3/4" = 1'-0"

E7 DETAIL F
SCALE: 3/4" = 1'-0"

C7 RAMP DETAIL
SCALE: 1/2" = 1'-0"

F9 DETAIL D
SCALE: 3/4" = 1'-0"

E9 DETAIL C
SCALE: 1/2" = 1'-0"

C9 DETAIL B
SCALE: 3/4" = 1'-0"

A9 DETAIL A
SCALE: 3/4" = 1'-0"

- MATERIALS:**
- 3/4" THK. PLYWOOD
 - 2X4 LUMBER
 - 16d NAILS
 - 8d NAILS
 - EPOXY COATED PAINT
 - CAULKING

AFCS

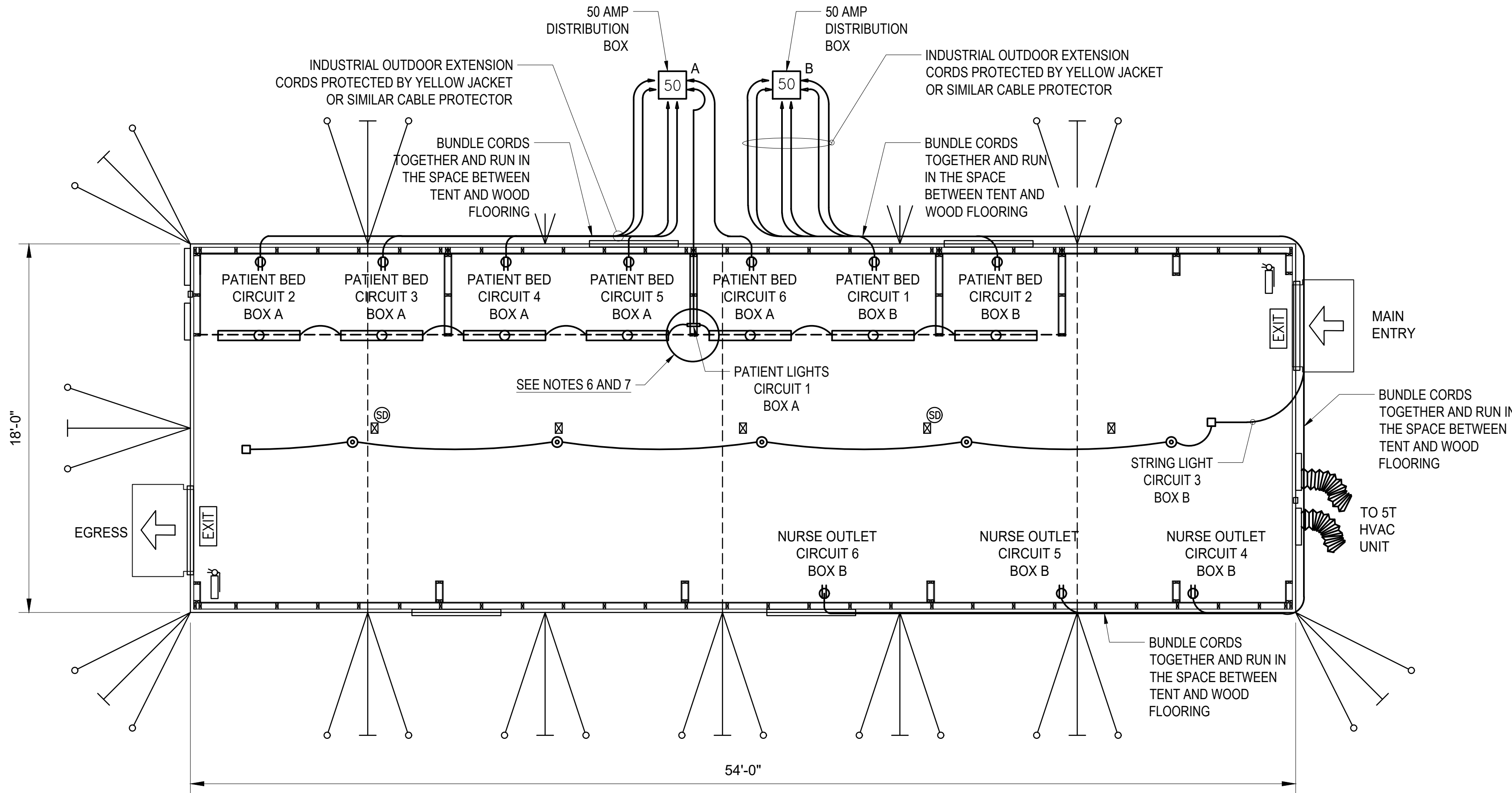
<p>ISSUE DATE: _____</p> <p>SOLICITATION NO: _____</p> <p>CONTRACT NO: _____</p> <p>CREATION DATE: _____</p> <p>DESIGNED BY: NAVFAC/EMC</p> <p>DRAWN BY: NAVFAC/EMC</p> <p>CHECKED BY: NAVFAC/EMC</p> <p>SUBMITTED BY: AFCS</p> <p>FILE NAME: XXXXX-001_S-100.DWG</p> <p>SIZE: ANSI D</p>	<p>MARK</p> <p>DESCRIPTION</p>
---	--------------------------------

DEPARTMENT OF THE ARMY
OFFICE OF THE CHIEF OF ENGINEERS
WASHINGTON, D.C.
AR 415-16

CONTINGENCY STANDARD DESIGNS
ARMY FACILITIES COMPONENTS SYSTEM

PATIENT TENT, 7-BED, FLOOR DECKING PLAN
18FT X 52FT TENT
936 SQUARE FEET

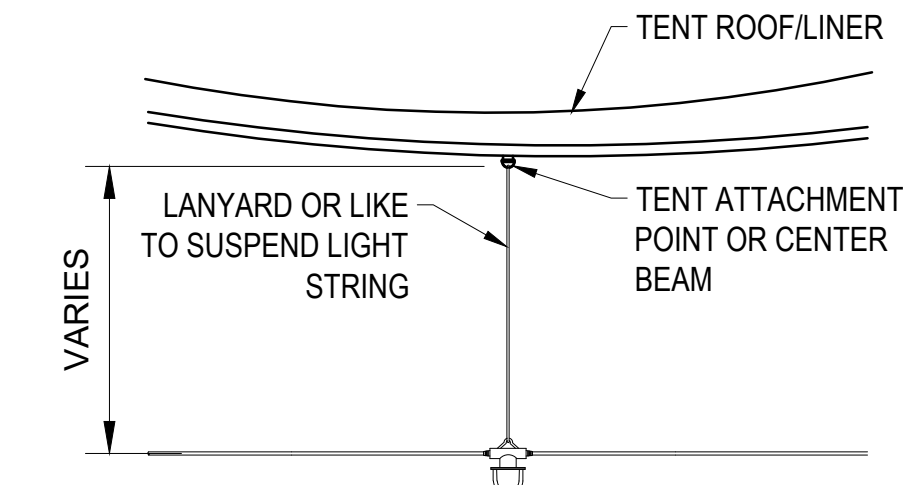
SHEET ID
XXXXX-001_S-100
S-100



D2 POWER, LIGHT AND AIR CONDITIONER PLAN
SCALE: 1/4" = 1'-0"

- ELECTRICAL NOTES:**
- ALL ELECTRICAL WORK AND EQUIPMENT INSTALLATION SHALL CONFORM TO ALL FEDERAL AND STATES REQUIREMENTS OF THE CURRENT EDITION OF THE NATIONAL ELECTRICAL CODE (NEC).
 - ELECTRICAL DRAWINGS ARE DIAGRAMMATIC, THEY ARE INTENDED TO SHOW APPROXIMATE LOCATIONS OF EQUIPMENT AND ELECTRICAL CABLES.
 - EXACT LOCATION OF EQUIPMENT WILL BE VERIFIED IN THE FIELD AND ROUTING OF CABLES TO SUIT FIELD CONDITIONS.
 - EACH PATIENT AREA WILL HAVE A POWER STRIP DESIGNED FOR HOSPITAL USE.
 - ECU WILL BE POWERED FROM A SEPARATE PANEL BOX .
 - SEVEN 4FT, 64-WATT EQUIVALENT WHITE INTEGRATED LED SHOP LIGHT 4000K BRIGHT WHITE 3200 LUMENS LINKABLE 5FT PATIENT LIGHTING FIXTURE.
 - THE PATIENT LIGHTING FIXTURE WILL BE PLUG TO A 8-OUTLET POWER STRIP SURGE PROTECTOR WITH 3FT CORD AND SECURED TO VERTICAL 2X4 LUMBER USING ZIP TIES OR EQUIVALENT.

- SYMBOLS:**
- Ⓢ SMOKE DETECTOR (BATTERY POWERED)
 - 4FT LIGHTING FIXTURE
 - ⊙ LED BULB LIGHTING FIXTURE
 - ⊕ DUPLEX OUTLET



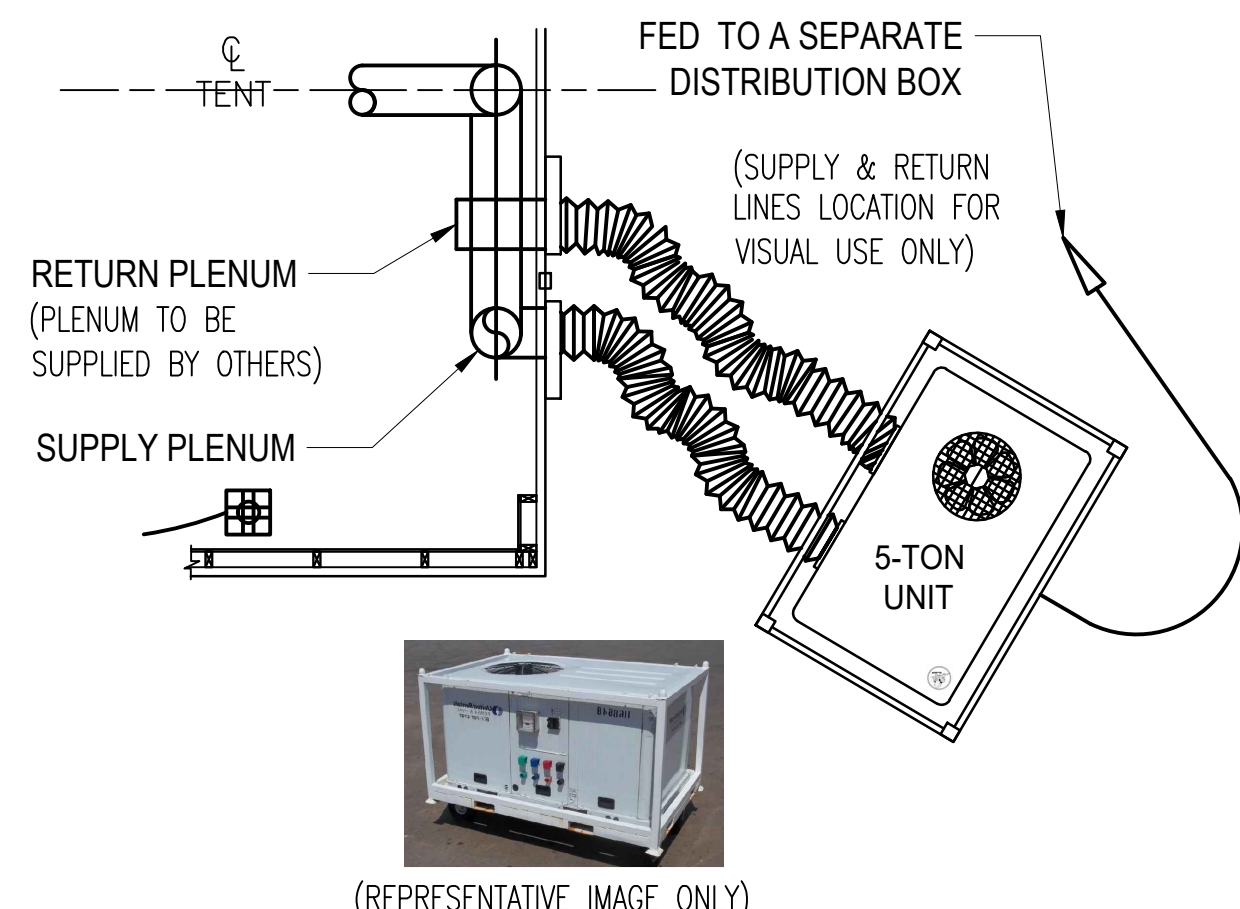
C8 STRING LIGHT DETAIL
SCALE: NOT TO SCALE

PANEL BOX 50A				
		SYSTEM: 120/240V SINGLE PH		
		RATING: 50AMP		
		ENCLOSURE: NEMA 3R WEATHER RESISTANT		
		OPTIONS: UNITED RENTAL		
CKT #	SERVING	CKT BRK		CONNECTED LOAD (VA)
		TRIP	POLE	
1	PATIENT FLUORESCENT	20	SINGLE	448
2	PATIENT BED	20	SINGLE	1200
3	PATIENT BED	20	SINGLE	1200
4	PATIENT BED	20	SINGLE	1200
5	PATIENT BED	20	SINGLE	1200
6	PATIENT BED	20	SINGLE	1200
TOTAL CONNECTED LOAD: 6448/240 = 27 A				

A2 TYPICAL PANEL 50A SCHEDULE
SCALE: NOT TO SCALE

PANEL BOX 50B				
		SYSTEM: 120/240V SINGLE PH		
		RATING: 50AMP		
		ENCLOSURE: NEMA 3R WEATHER RESISTANT		
		OPTIONS: UNITED RENTAL		
CKT #	SERVING	CKT BRK		CONNECTED LOAD (VA)
		TRIP	POLE	
1	PATIENT BED	20	SINGLE	1200
2	PATIENT BED	20	SINGLE	1200
3	STRING LIGHT	20	SINGLE	100
4	NURSE OUTLET	20	SINGLE	1800
5	NURSE OUTLET	20	SINGLE	1800
6	NURSE OUTLET	20	SINGLE	1800
TOTAL CONNECTED LOAD: 7900/240 = 33 A				

A5 TYPICAL PANEL 50B SCHEDULE
SCALE: NOT TO SCALE



A8 TYPICAL HVAC DETAIL
SCALE: 1/4" = 1'-0"

AFCS

DESIGNED BY: NAVFAC/EMC DRAWN BY: NAVFAC/EMC CHECKED BY: NAVFAC/EMC SUBMITTED BY: AFCS FILE NAME: XXXXX-0001_E-100.DWG SIZE: ANSI D	ISSUE DATE: SOLICITATION NO: CONTRACT NO: CREATION DATE: MARK: DESCRIPTION
DEPARTMENT OF THE ARMY OFFICE OF THE CHIEF OF ENGINEERS WASHINGTON, D.C. AR 415-16	
CONTINGENCY STANDARD DESIGNS ARMY FACILITIES COMPONENTS SYSTEM PATIENT TENT, 7-BED, POWER & LIGHT PLAN 18FT X 52FT TENT 936 SQUARE FEET	
SHEET ID XXXXX-0001_E-100 E-100	

